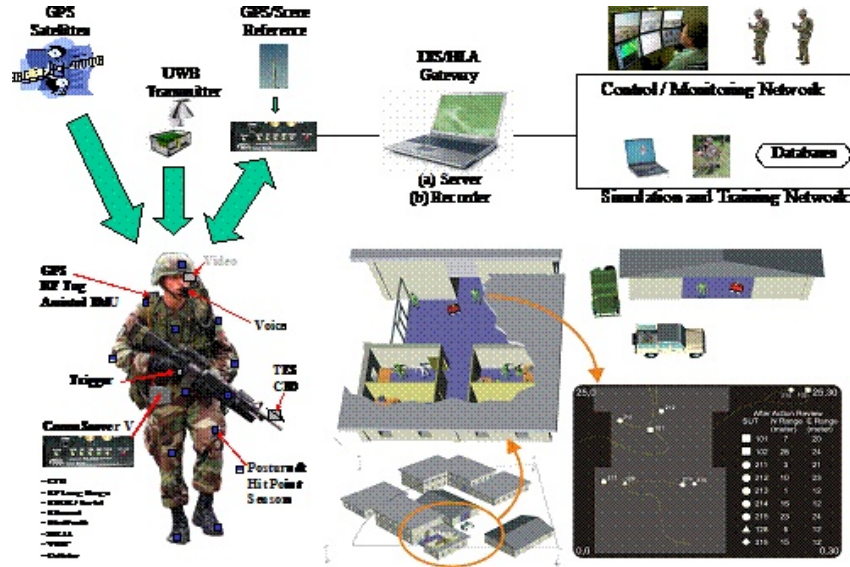


RNI CommServer

Landwarrior Tracking using a single PAN Solution for Multiple Remote System's Integration

An integrated, soldier-worn device that allows remote RF linkage to the unit's PAN devices (GPS, UWB Tags, Laser Engagement Systems, and other peripherals) from a network-ready base station.



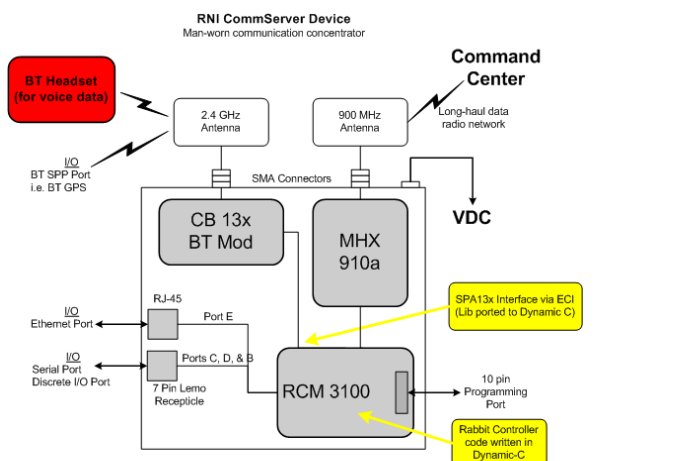
The CommServer unit is a flexible communication device that can channel data to and from a variety of remote sensory and control devices and a centrally located host computing system.

Applications

- Instrumented Soldier and Vehicle tracking
 - Position tracking
 - Engagement tracking
 - Experimental equipment integration
 - Situational awareness device
- Non-military applications
 - Enhanced training with full motion digital replay
 - Entertainment with Paintball digitized playback take home packages

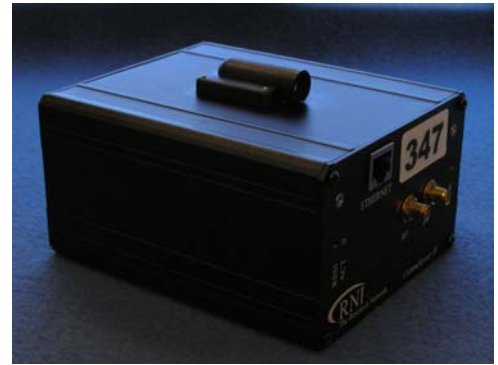
Features

- Bridges live to virtual environments
- Highly flexible system can be configured to bind any number of devices to a number of connected device protocols
 - GPS NMEA
 - Icon Vest
 - Miles 2000
 - Digital compass
 - Laser range finding binoculars
 - PDA (for situational awareness)
- Data is bidirectional between server and any connected device attached to CommServer units
- Bidirectional interaction with standard simulation environments (DIS / HLA)
- Incoming data is viewed in 3D simulation environment GDIS™ or other DIS/HLA enabled packages
- Ruggedized for instrumented soldier
- Extremely robust long range frequency-hopping data radio
- Communication based on Microhard workhorse MHX 910
- Maximum allowable transmit power (1W)



Can we use any Connect:Blue OEM device to access voice data from a BT Headset (commercial models used for cell phones)

RNI CommServer



CommServer IV		Specifications	
Dimensions	Height: 127 mm (5.00") Width: 108 mm (4.25") Depth: 70 mm (2.75")		
Long range Antenna	SMA male		
BT Antenna	SMA female		
Operating Environment	-40 to +70 C; 5-90% non-condensing		
Weight	2 lbs w/ battery		
Interfaces			
Power	8-18 Vdc Input power 2.5 x 5.5 x 9.5mm barrel charging jack Battery 3 cell x 4600 mAh li-ion (for 24 hrs operation)		
Status Signals	3 LEDs		
Connectors	<i>Lemo 7-Pin ECG</i> <i>Lemo 9-Pin ECG</i> Alternates available		
Bluetooth Ports	Class I +20 dBm (>300 m) SPP Profile Up to 7 slaves		
Serial Ports	Up to 2 Serial Ports RS-232 – 5 Vdc signaling		
TCP/IP Port	10Base-T; RJ-45		
Discrete I/O	2 x input closures to 5 Vdc source 2 x 1 amp relay output channels		
Performance			
Frequency	902-928 MHz		
Spreading Code	Frequency Hopping		
Output Power	Up to 1W		
Sensitivity	-160 dBm		
Max Units	128 per server cluster		
Data Rate	15.2 kbps		
Range	1 - 5 miles depending on obstructions		
Current Consumption	200 mA ave draw 600 mA max at 1W Tx Power		
Setup/Usage			
User Interface	<ul style="list-style-type: none"> • Setup command terminal • Remote management interface 		

For more information go to: <http://www.resrchnet.com/products.htm> and view CommServers.